

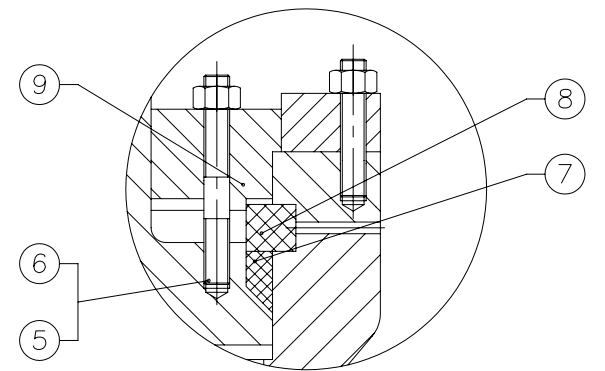
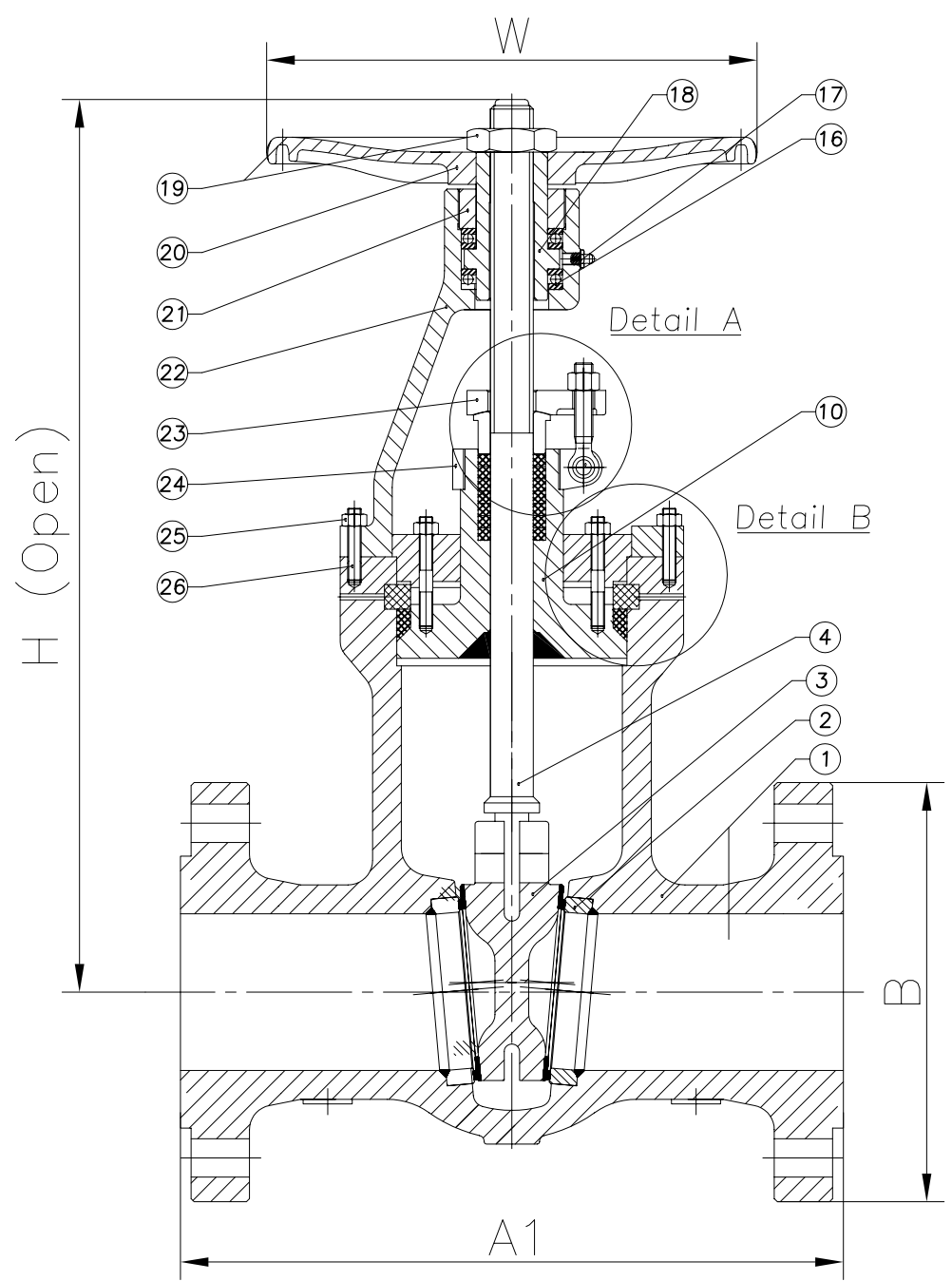
A

B

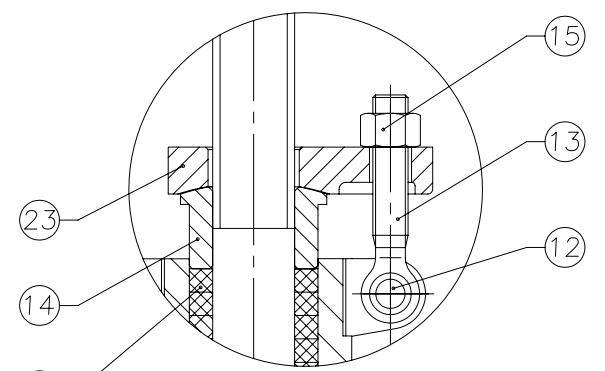
C

D

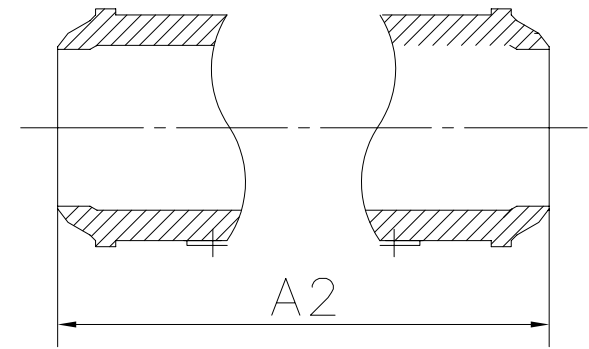
E



Detail B



Detail A



Butt-Weld Ends

BILL OF MATERIALS				
NO.	Designation	QTY.	Material	Notes
26	Yoke Pan Bolt Nuts		ASTM A194 2HM	
25	Yoke Pan Bolts		ASTM A193 B7M	
24	Support	1	ASTM A216 WCB	
23	Gland Flange	1	ASTM A216 WCB	
22	Yoke	1	ASTM A216 WCB	
21	Retaining Nut	1	Carbon Steel	
20	Handwheel	1	Ductile Iron	
19	H.W.Lock Nut	1	Carbon Steel	
18	Stem Nut	1	AL-Bronze	
17	Lubricating Cup	1	Copper	
16	Axletree	2	Assembly	
15	Gland Nut	2	ASTM A194 2HM	
14	Gland	1	ASTM A182 F6	
13	Gland Eye Bolt	2	ASTM A193 B7M	
12	Pin	2	Carbon Steel	
11	Packing	7	Flexible Graphite	
10	Bonnet	1	ASTM A216 WCB	
9	Bonnet Flange	1	ASTM A216 WCB	
8	Gasket	1	304+Graphite	
7	Packing	1	Flexible Graphite	
6	Bonnet Nut		ASTM A194 2HM	
5	Bonnet Bolt		ASTM A193 B7M	
4	Stem	1	ASTM A182 F6	
3	Wedge	1	ASTM A216 WCB+STL	
2	Seat	2	ASTM A182 F6+STL	
1	Body	1	ASTM A216 WCB	

Size	A1	A2	B	H (Open)
2	368	216	216	397
3	381	305	241	635
4	457	355	292	676
6	610	508	381	1083
8	737	660	470	1197
10	838	787	544.5	1367
12	965	914	610	1681
14	1029	990	641.5	1684
16	1130	1092	705	2148
18	1219	1092	785	2196

ENGINEERING DATA

DESIGN CODE	API 600/ANSI B16.34	TEST PRESSURES		
FACE TO FACE DIMENSIONS	ASME B16.10	BODY	229.8	Barg
ENDS FLANGES DIMENSIONS	ASME B16.5	SEAT	168.52	Barg
TESTING CODE	API 598	BACKSEAT	168.52	Barg
		AIR - SEAT	6.0	Barg

REV	DATE	DESCRIPTION	BY	CHK	APP	SCALE:		
						DRAWN	DM	DATE
						CHECKED	SMN	DATE
						APPROVED	AW	DATE

DRAWING TITLE:
API CAST STEEL CLASS 900
PRESSURE-SEAL BONNET, RF, GATE VALVES

CLIENT:
VENDOR PO REF:
EVC REF:



CAD. No.	DRAWING NUMBER:	120036	REV
	AREA No. 1	FACILITY	TYPE
		SEQ. No.	SHT. No.